



UK PRODUCT RANGE

|| **REGINOX** ||

THE CROWN FOR YOUR KITCHEN

## SINK COLLECTION

ELITE INTEGRATED - page 6

Nevad 50  
Nevada 18-30 LEFT  
Texas 18 x 40  
Texas 30 x 40  
Texas 40 x 40  
Texas 50 x 40  
Texas 30 x 40 + 18 x 40  
Texas 30 x 40 + 30 x 40  
Texas 40 x 40 + 40 x 40  
Texas 40 x 40 + 18 x 40  
Ohio 18 x 40  
Ohio 40 x 40  
Ohio 50 x 40  
Ohio 80 x 42  
Ohio 40 x 40 tap-wing  
Ohio 50 x 40 tap-wing  
Ohio 40 x 40 + 18 x 40  
Ohio 50 x 40 + 18 x 40  
Kansas 18 x 40  
Kansas 40 x 40  
Kansas 50 x 40  
Kansas 80 x 42  
Ontario 18 x 40  
Ontario 40 x 40  
Ontario 45 x 40  
Ontario 50 x 40  
Ontario 80 x 40  
Ontario 52 x 40 x 2  
Ontario 40 x 40 + 40 x 40  
Ontario 10  
Ontario 1.5

ELEGANCE INTEGRATED - page 22

Princess 80  
Queen L 60  
Orlando L  
Alaska  
Chicago L

COMFORT INTEGRATED - page 25

L18 390 OKG  
L18 3440 OKG  
L18 4035 OKG  
Colorado L  
Denver L  
L18 3016 KG

ELITE INSET - page 30

Ambassador R  
Empire R 15  
President R  
Admiral R 10  
Admiral R 1.5  
Admiral R 60

ELEGANCE INSET - page 34

Montreal  
Diplomat 10  
Diplomat 20  
Diplomat 10 plus  
Diplomat 1.5  
Jumbo  
Minister 10

COMFORT INSET - page 37

Diplomat 10 ECO  
Diplomat 1.5 ECO  
Regidrain  
Duchess  
Duke 10BA  
King R1.5  
Regent 10 Lux  
Regent 30 Lux  
Galicia OKG  
Valencia OKG VP  
Roundbowlset  
R18 390  
Combi S1.5  
Prince S1.5  
Prince R1.5  
Alpha 10

## LEGENDA

SK	1.5 Outlet/plug with chain without overflow
OSK	1.5 Outlet/plug with chain with overflow
SP	1.5 Outlet/plug without chain without overflow
OSP	1.5 Outlet/plug without chain with overflow
SPO	1.5 Outlet/plug without chain/Overflow integrated in drainer
KG	3.5 Outlet without overflow
OKG	3.5 Outlet with overflow
OKGD	Double bowl with one overflow and two 3.5" outlets
OKG VP	3.5 Outlet with overflow and deep plug
OKG_WOKZ	3.5 Outlet with overflow short side
LUX	Bowl polished
PLUS	Overflow integrated in drainer
BA	Bowl unpolished
BAP	Bowl polished
SB	Single Bowl
DB	Double Bowl
L/R	Bowl left and right available



# STYLE, CHOICE, INNOVATION, QUALITY...

## THE PERFECT SINKS FOR YOUR KITCHEN

Welcome to Reginox. Inside our catalogue you will discover a huge selection of stylish, high quality and practical sinks, taps, accessories and waste disposal units. Reginox is a European manufacturer based in Holland. We have a production capacity of almost 1.5m sinks per year, with exports to over 50 countries worldwide and sales offices in Europe, Singapore, China and other countries. Reginox is a truly worldwide company.

Our range of sinks includes a fantastic selection of stainless steel products including undermounts and insets, ceramics and granites. Our integrated collection can be fitted in three different ways; flush mounted, undermount or simply inset. These options make for a versatile and stunning product. Our steel sinks all come with 10 year guarantees, full waste and fixing packs and the Reginox commitment to service and quality. Our ceramics offer superb finish and durability with a design that is equally at home within either a contemporary or traditional kitchen. The Reginox granites are made from Crystallite, one of the world's leading materials in granite sink production; these sinks are highly resistant to scratching, anti-bacterial, thermal shock and come in a range of distinct and modern designs.

In addition to our sinks we have an amazing selection of taps chosen to fully compliment our sink designs. These are manufactured by one of the worlds leading tap companies and finished to a high standard. To complete your kitchen sink you can select from our range of accessories designed to add practicality and functionality. Add a waste disposal unit for your total sink solution!!

Some of our products such as our 'TEXAS' range are manufactured using world class leading production techniques never previously used in stainless steel sink production. This allows us to create outstanding designs, finish and styles that are truly innovative. Reginox uses the finest materials, techniques and first class quality control procedures to ensure that every product that leaves our factory is as close to perfect as possible.

Reginox....the perfect sink for your kitchen.

For further information please contact our U.K. Sales Office or visit our website.



## NEW COLLECTION CLASSIFICATION FOR THE REGINOX PROGRAMME:

For many years the Reginox sink unit programme has comprised integrated and inset units. In recent years however the Reginox programme was significantly expanded. An excellent package is now in place, particularly for the luxury segment. To provide Reginox / distributor even greater capacity to approach the various market segments with Reginox products, Reginox developed a collection classification. This means that as far as possible product groups are divided by segment into the following 3 classes:

### ELITE

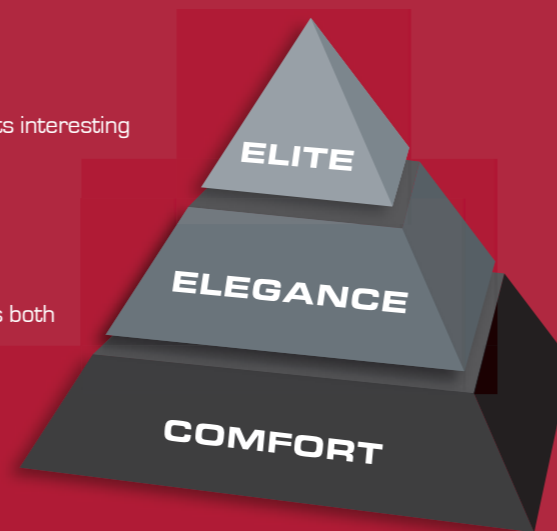
The Elite class sink unit is designed for the top segment with a focus on design. The look and functionality of the unit combine to create a distinctive character.

### ELEGANCE

The Elegance class will appeal to a broad section of the market with its interesting use factor and excellent price quality ratio.

### COMFORT

The Comfort class is an economical alternative to the Elegance and is both versatile and well suited for projects.



## TABLE OF CONTENTS

2	Product information
4	Overview integrated sinks
6	Elite integrated sinks
22	Elegance integrated sinks
25	Comfort integrated sinks
28	Overview inset sinks
30	Elite inset sinks
34	Elegance inset sinks
37	Comfort inset sinks
44	Regi-Granite
46	Regi-Ceramic
49	Kitchen taps
51	Waste Disposal Units
52	Worktops
57	Sink and tap stands
54	Accessories
60	EC Declaration of conformity
61	Certificate of approval
62	Built-in options, use and maintenance
63	Delivery and warranty provisions



# OVERVIEW INTEGRATED SINKS

## ELITE

NEVADA 50  
page 6



NEVADA 18-30  
page 7



TEXAS 18 x 40  
page 8



TEXAS 30 x 40  
page 9



TEXAS 40 x 40  
page 9



TEXAS 50 x 40  
page 9



TEXAS 30 x 40 + 18 x 40  
page 10



TEXAS 30 x 40 + 30 x 40  
page 11



TEXAS 40 x 40 + 40 x 40  
page 11



TEXAS 50 x 40 + 18 x 40  
page 11



OHIO 18 x 40  
page 12



OHIO 40 x 40  
page 13



OHIO 50 x 40  
page 13



OHIO 80 x 42  
page 13



OHIO 40 x 40 TAP-WING  
page 14



OHIO 50 x 40 TAP-WING  
page 14



OHIO 40 x 40 + 18 x 40  
page 14



OHIO 50 x 40 + 18 x 40  
page 15



KANSAS 18 x 40  
page 16



KANSAS 40 x 40  
page 17



KANSAS 50 x 40  
page 17



KANSAS 80 x 42  
page 17



ONTARIO 18 x 40  
page 18



ONTARIO 40 x 40  
page 19



ONTARIO 45 x 40  
page 19



ONTARIO 80 x 40  
page 19



ONTARIO 52 x 40 x 2  
page 20



ONTARIO 10  
page 20



ONTARIO 1.5  
page 20



ADMIRAL L 1.5  
page 21



## ELEGANCE

PRINCESS 80  
page 22



QUEEN L 60  
page 23



ORLANDO L  
page 23



ALASKA  
page 23



CHICAGO L  
page 24



## COMFORT

L18 390 OKG  
page 25



L18 3440 OKG  
page 26



L18 4035 OKG  
page 26



COLORADO L  
page 27



DENVER L  
page 27



L18 3016 KG  
page 27



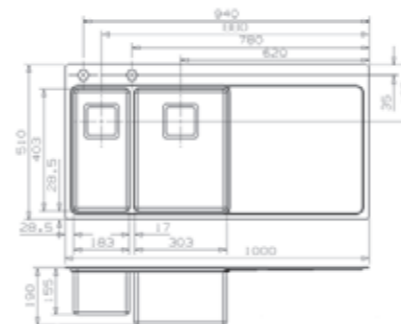


# NEVADA



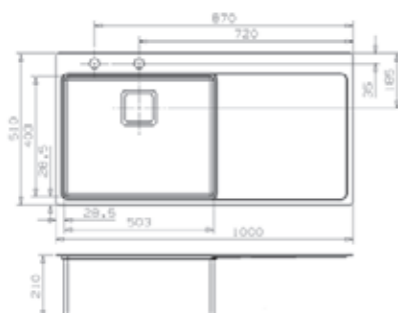
## NEVADA 18-30

cabinet: 600 mm  
d: 210 mm



## NEVADA 50

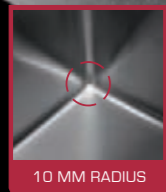
cabinet: 600 mm  
d: 210 mm





# TEXAS

- 10 mm radius
- Design overflow
- Square basket strainer
- Easy clean, hygienic design



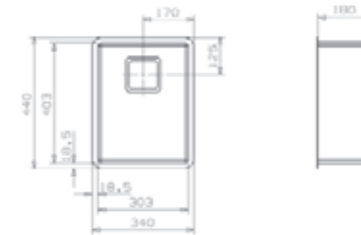
## TEXAS 18 x 40

cabinet: 400 mm  
d: 145 mm



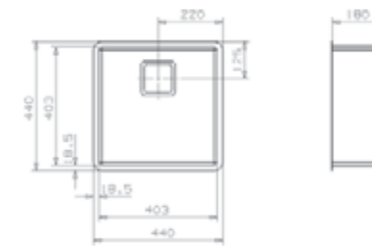
## TEXAS 30 x 40

cabinet: 400 mm  
d: 180 mm



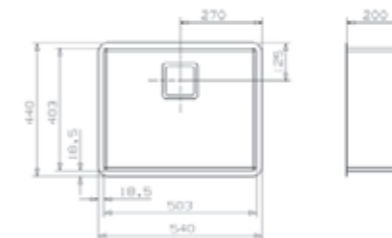
## TEXAS 40 x 40

cabinet: 450 mm  
d: 180 mm



## TEXAS 50 x 40

cabinet: 600 mm  
d: 200 mm





TEXAS 30 x 40 + 30 x 40

cabinet: 800 mm  
d: 180 mm



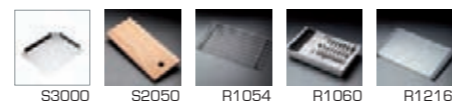
TEXAS 40 x 40 + 40 x 40

cabinet: 900 mm  
d: 190 mm



TEXAS 30 x 40 + 18 x 40

cabinet: 600 mm  
d: 180/145 mm  
available as left or right version



TEXAS 50 x 40 + 18 x 40

cabinet: 800 mm  
d: 180/145 mm  
available as left or right version

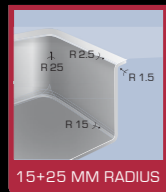






# OHIO

- 15 and 25 mm radius
- Design overflow
- Easy clean, hygienic design



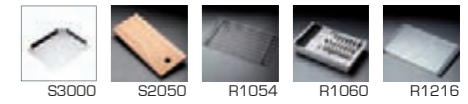
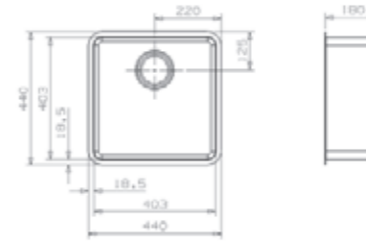
## OHIO 18 x 40

cabinet: 400 mm  
d: 145 mm



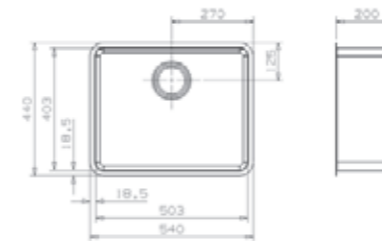
## OHIO 40 x 40

cabinet: 450 mm  
d: 180 mm



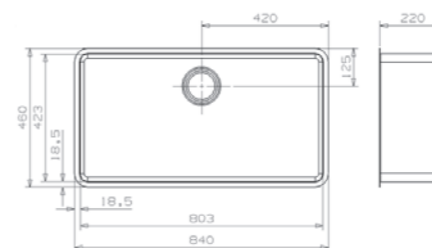
## OHIO 50 x 40

cabinet: 600 mm  
d: 200 mm



## OHIO 80 x 42

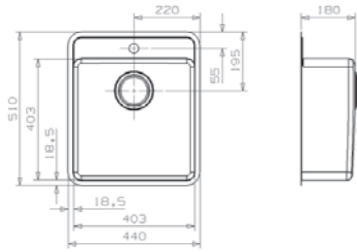
cabinet: 900 mm  
d: 220 mm



R1054

OHIO 40 x 40 TAP-WING

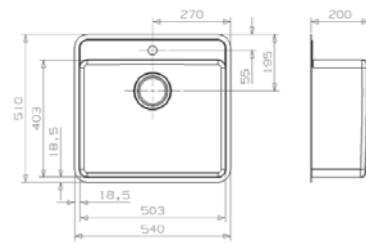
cabinet: 450 mm  
d: 180 mm



R1054

OHIO 50 x 40 TAP-WING

cabinet: 600 mm  
d: 200 mm



S3000 R1054 R1060 R1216

OHIO 40 x 40 + 18 x 40

cabinet: 800 mm  
d: 180/145 mm  
available as left or right version



S3000 S2050 R1054 R1060 R1216



OHIO 50 x 40 + 18 x 40

cabinet: 800 mm  
d: 200/145 mm  
available as left or right version

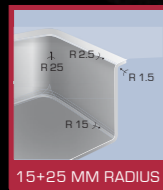


S3000 S2050 R1054 R1060 R1216



# KANSAS

- 15 + 25 mm radius
- 250 mm deep
- Design overflow



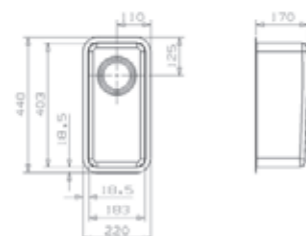
15+25 MM RADIUS



250 MM DEEP

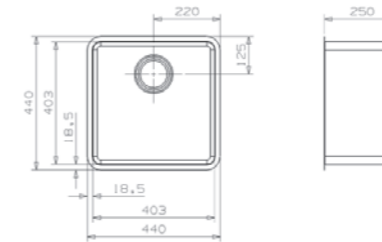
## KANSAS 18 x 40

cabinet: 400 mm  
d: 170 mm



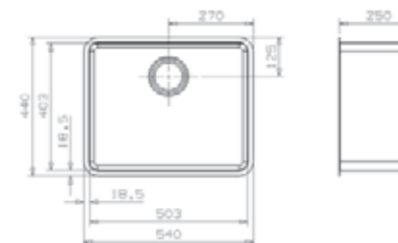
## KANSAS 40 x 40

cabinet: 450 mm  
d: 250 mm



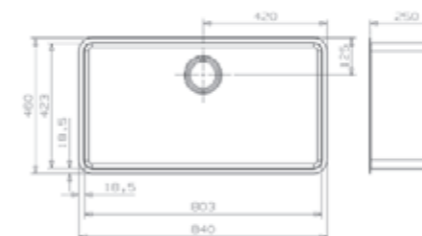
## KANSAS 50 x 40

cabinet: 600 mm  
d: 250 mm



## KANSAS 80 x 42

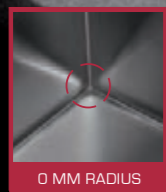
cabinet: 900 mm  
d: 250 mm





# ONTARIO

- 0 mm radius
- Available with drainer



## ONTARIO 18 x 40

cabinet: 400 mm  
d: 190 mm



## ONTARIO 40 x 40

cabinet: 450 mm  
d: 190 mm



## ONTARIO 45 x 40

cabinet: 500 mm  
d: 190 mm



## ONTARIO 80 x 40

cabinet: 900 mm  
d: 190 mm





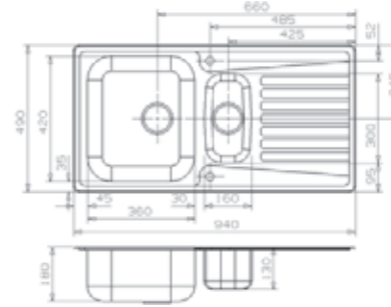
ONTARIO 52 x 40 x 2

cabinet: 600 mm  
d: 20 mm



ADMIRAL L 1.5

cabinet 600 mm  
d: 180/130 mm  
including accessory B0899  
reversible drainer



ONTARIO 10

cabinet: 450 mm  
d: 190 mm  
available as left or right version



ONTARIO 1.5

cabinet: 800 mm  
d: 190/160 mm  
available as left or right version





# ELEGANCE INTEGRATED SINKS



## PRINCESS 80

cabinet: 800 mm  
d: 160/160 mm  
undrilled unless requested



## QUEEN L 60

cabinet: 600 mm  
d: 160/130 mm  
including stainless steel colander B0899  
undrilled unless requested



## ORLANDO L

cabinet: 600 mm  
d: 185 mm



## ALASKA

cabinet: 600 cm  
d: 170/130 mm  
available as left or right version  
suitable for undermount only



### CHICAGO L

cabinet: 600 mm  
d: 200 mm

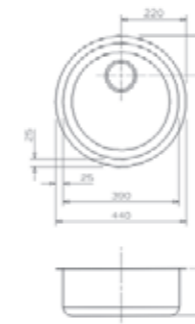


## COMFORT INTEGRATED SINKS



### L18 390 OKG

cabinet: 450 mm  
d: 160 mm  
also available as OSK and SK 10 cm





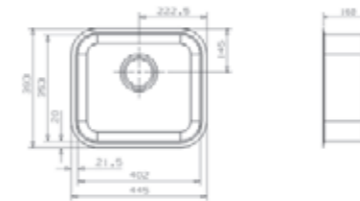
### L18 3440 OKG

cabinet: 450 mm  
d: 160 mm  
also available as OSK



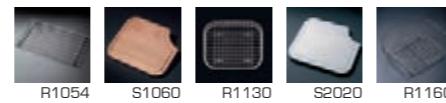
### COLORADO L

cabinet: 450 mm  
d: 160 mm



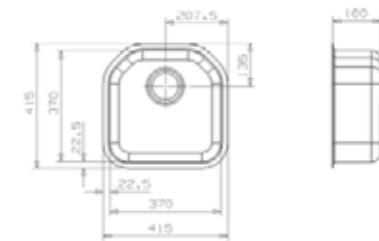
### L18 4035 OKG

cabinet: 450 mm  
d: 150 mm  
also available as OSK  
also available as SK 10 cm



### DENVER L

cabinet: 450 mm  
d: 160 mm



### L18 3016 KG

cabinet: 400mm  
d: 122 mm





# OVERVIEW INSET SINKS

## ELITE

AMBASSADOR R  
page 30



EMPIRE R 15  
page 31



PRESIDENT R  
page 32



ADMIRAL R 10  
page 32



ADMIRAL R 1.5  
page 32



ADMIRAL R 60  
page 33



## ELEGANCE

MONTREAL  
page 34



DIPLOMAT 10  
page 35



DIPLOMAT 20  
page 35



DIPLOMAT 10 PLUS  
page 35



DIPLOMAT 1.5  
page 36



JUMBO  
page 36



MINISTER 10  
page 36



## COMFORT

DIPLOMAT 10 ECO  
page 37



DIPLOMAT 1.5 ECO  
page 38



REGIDRAIN  
page 38



DUCHESS  
page 38



DUKE 10BA  
page 39



KING R1.5  
page 39



REGENT 10 LUX  
page 40



REGENT 30 LUX  
page 40



GALICIA  
page 40



VALENCIA OKG VP  
page 41



ROUNDBOWLSET  
page 41



R18 390 OKG  
page 41



PRINCE S1.5  
page 42



PRINCE R1.5  
page 42



ALPHA 10  
page 42



# ELITE INSET SINKS



## AMBASSADOR R

cabinet: 600 mm

d: 170/40 mm

including wooden cuttingboard S1100,  
stainless steel wire basket R1140 and plastic colander R1030



cut out size



## EMPIRE R 15

cabinet: 600 mm

d: 160/130 mm

available as left or right version

including accessorie S1000



cut out size

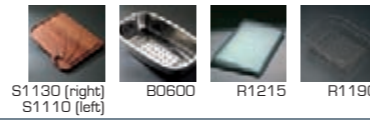


**PRESIDENT R**

cabinet: 600 mm  
 d: 180/130/32 mm  
 available as left or right version  
 including stainless steel colander B0600

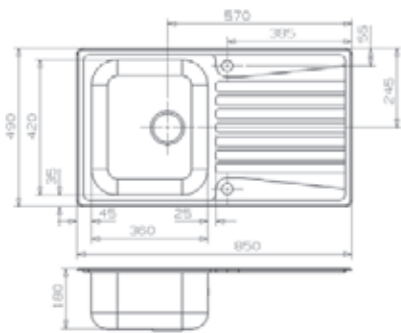


cut out size

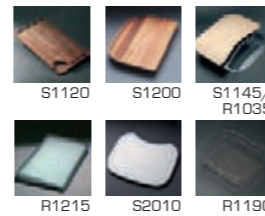


**ADMIRAL R 10**

minimum cabinet: 450 mm  
 d: 180 mm  
 reversible drainer

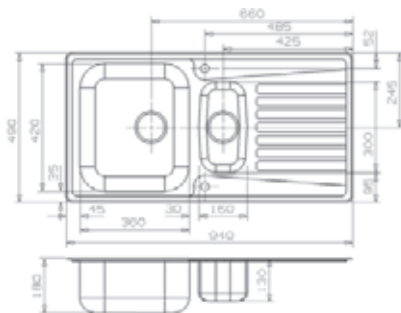


cut out size

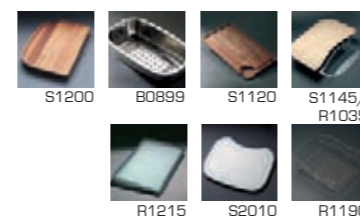


**ADMIRAL R 1.5**

cabinet: 600 mm  
 d: 180/130 mm  
 including stainless steel colander B0899  
 reversible drainer

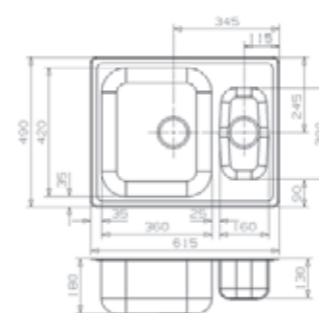


cut out size

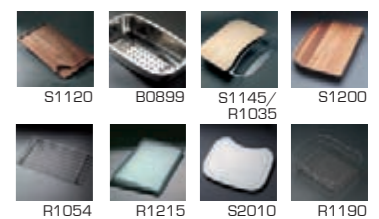


**ADMIRAL R 60**

minimum cabinet: 600 mm  
 d: 180/130 mm  
 including stainless steel colander B0899  
 undrilled unless requested



cut out size



# ELEGANCE INSET SINKS



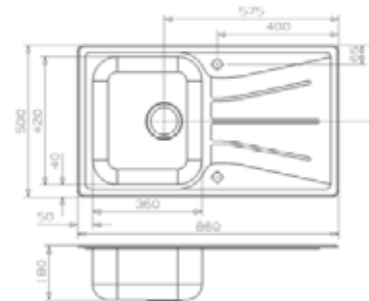
## DIPLOMAT 10

minimum cabinet: 450 mm

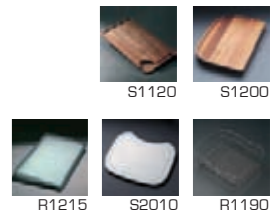
d: 180 mm

reversible drainer

also available in linen pattern, depth 180 mm



cut out size

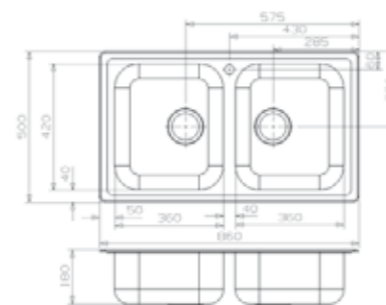


## DIPLOMAT 20

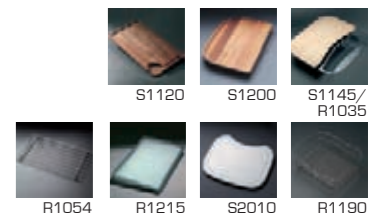
minimum cabinet: 900 mm

d: 180/180 mm

also available in linen pattern, depth 160 mm



cut out size



## MONTREAL

cabinet: 900 x 900 mm

d: 165 mm



cut out size



R1054

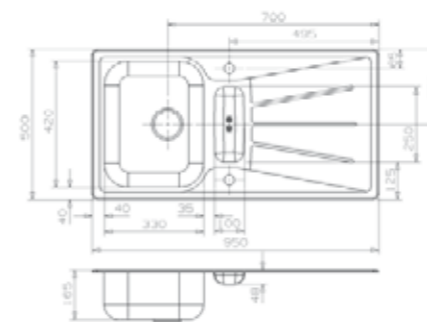
## DIPLOMAT 10 PLUS

cabinet: 500 mm

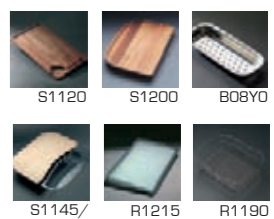
d: 165/48 mm

including stainless steel colander BOBYO

reversible drainer



cut out size



### DIPLOMAT 1.5

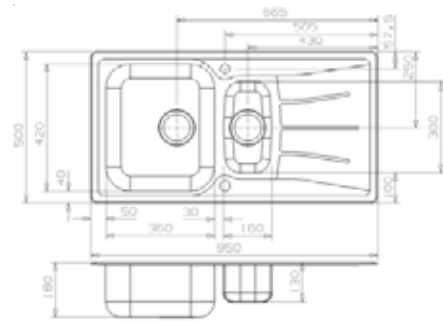
cabinet: 600 mm

d: 180/130 mm

also available in linen pattern, depth 180 mm

including stainless steel colander B0899

reversible drainer



cut out size



### JUMBO

cabinet: 900 mm

depth: 230 mm



cut out size

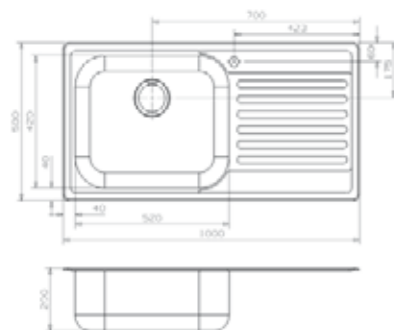


### MINISTER 10

cabinet: 600 mm

d: 200 mm

available as left or right version



cut out size



## COMFORT INSET SINKS

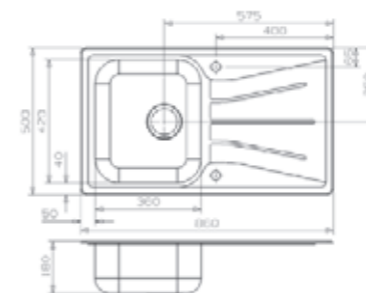


### DIPLOMAT 10 ECO

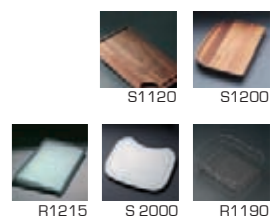
minimum cabinet: 450 mm

d: 160 mm

reversible drainer

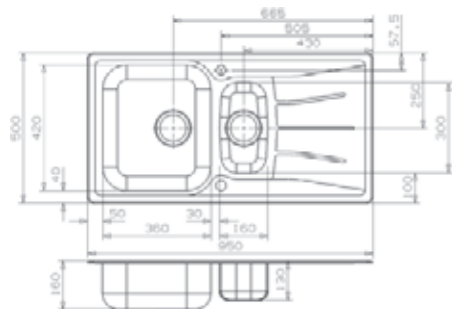


cut out size

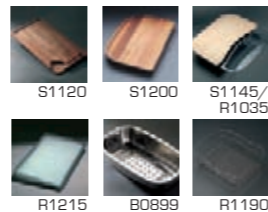


### DIPLOMAT 1.5 ECO

cabinet: 600 mm  
d: 160/130 mm  
reversible drainer

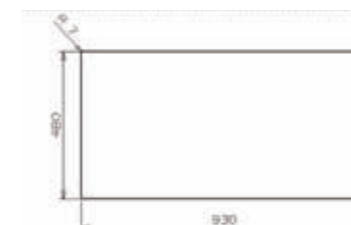


cut out size



### DUKE 10BA

cabinet: 45 cm  
d: 150 mm  
available as a left or right version

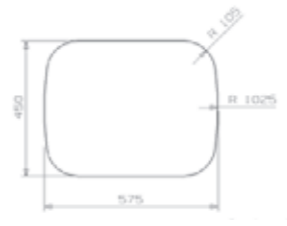


cut out size



### REGIDRAIN

cabinet: 400 mm  
d: 160 mm  
delivery time and based on minimum quantity  
undrilled unless requested

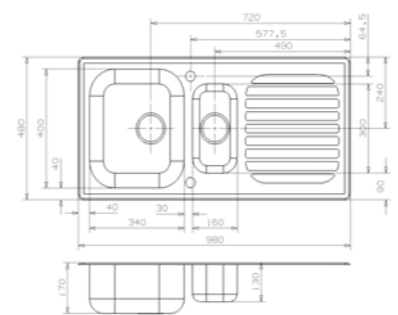


cut out size



### KING R1.5

cabinet: 600 mm  
d: 170/130 mm  
including stainless steel colander B0899

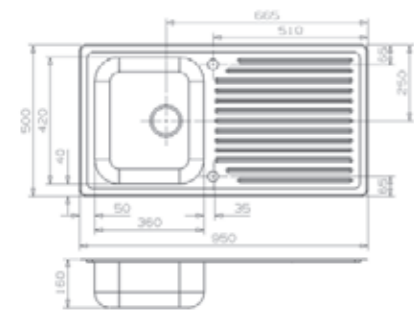


cut out size



### DUCHESS

minimum cabinet: 450 mm  
d: 160 mm  
reversible drainer



cut out size



REGENT 10 LUX

cabinet: 450 mm  
d: 170 mm  
available as left or right version



cut out size

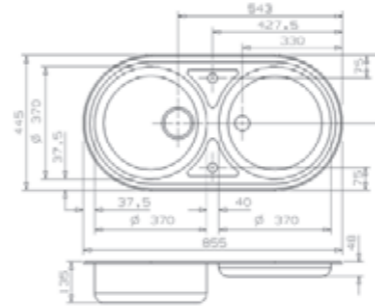


VALENCIA OKG VP

cabinet: 600 mm  
d: 135/48 mm  
reversible drainer



cut out size

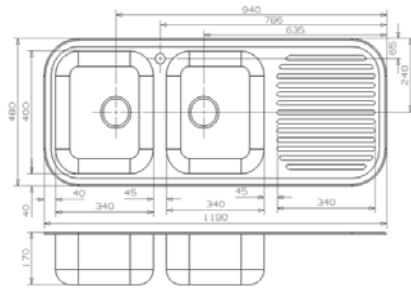


REGENT 30 LUX

cabinet: 800 mm  
d: 170/170 mm  
available as left or right version



cut out size



ROUNDBOWLSET

cabinet: 450 mm  
d: 150/45 mm  
2 stainless steel basins (deep/shallow) ø 42 cm  
includes plastic basket - R1090 and chopping board - S1090



cut out size

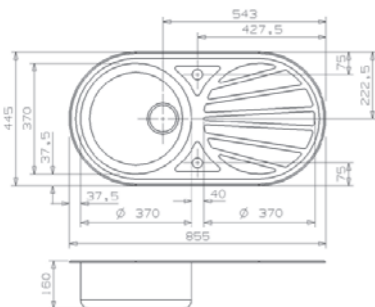


GALICIA OKG

cabinet: 450 mm  
d: 160 mm  
reversible drainer



cut out size



R18 390 OKG

cabinet: 450 mm  
d: 160 mm



cut out size



PRINCE S1.5

cabinet: 60 cm  
d: 150/130 mm  
reversible drainer

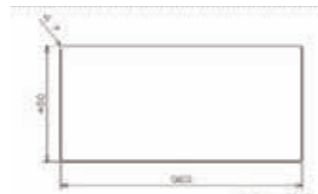
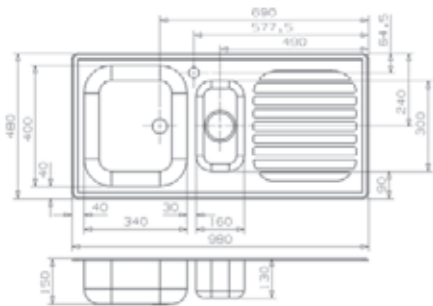


cut out size



PRINCE R1.5

cabinet: 60 cm  
d: 150/130 mm  
reversible drainer

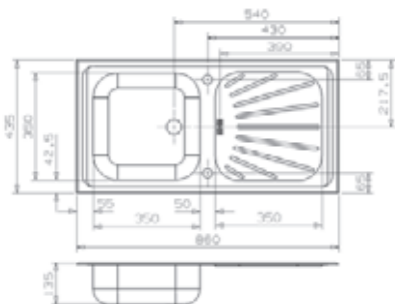


cut out size



ALPHA 10

cabinet: 450 mm  
d: 135 mm  
reversible drainer



cut out size







## REGI-GRANITE

Made from the superb and well recognised Cristilite, a mixture of granite synthetic resin material, Regi-Granite sinks provide a stunning alternative to stainless steel. Regi-Granite sinks have a surface which is virtually scratch resistant and is made of material which is incredibly durable and hard wearing. An additional feature is the anti-bacterial finish which provides a hygienic and easy to clean product.

The Regi-Granite range provides different appearances and colours to compliment any kitchen finish.

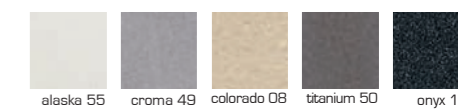
### ADRIATICO 10

cabinet: 500 mm  
d: 200 mm



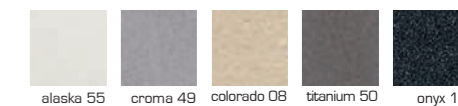
### ADRIATICO 1.5

cabinet: 600 mm  
d: 130/200 mm



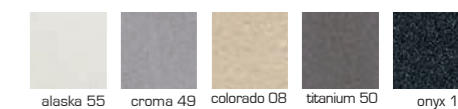
### VIENNA 10

cabinet: 450 mm  
d: 200 mm



### VIENNA 1.5

cabinet: 600 mm  
d: 200/160 mm



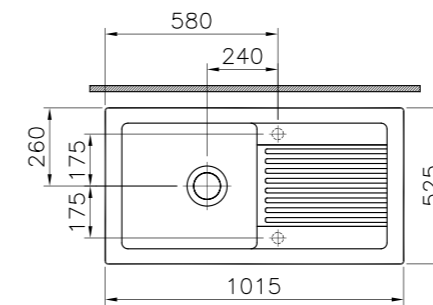


## REGI-CERAMIC

Manufactured from fine fireclay, Reginox ceramics offer a stylish contemporary or traditional alternative to other materials. With many different styles available to choose from Reginox ceramics offer something to suit all kitchens.

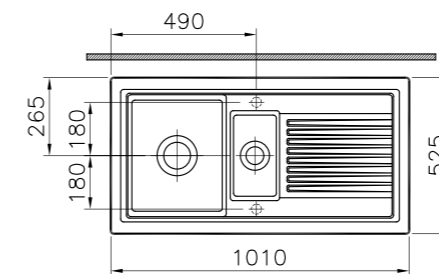
### RL304CW

cabinet: 60 cm  
d: 200 mm



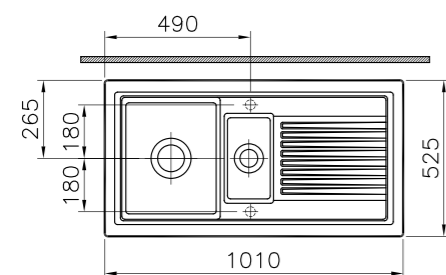
### RL401CB

cabinet: 60 cm  
d: 180 mm



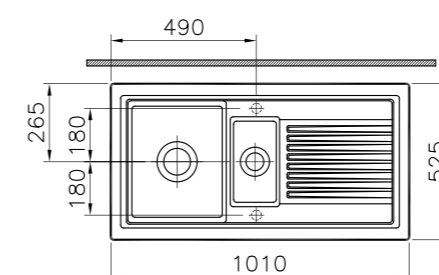
### RL301CW

cabinet: 60 cm  
d: 180 mm



### RL404CB

cabinet: 60 cm  
d: 200 mm



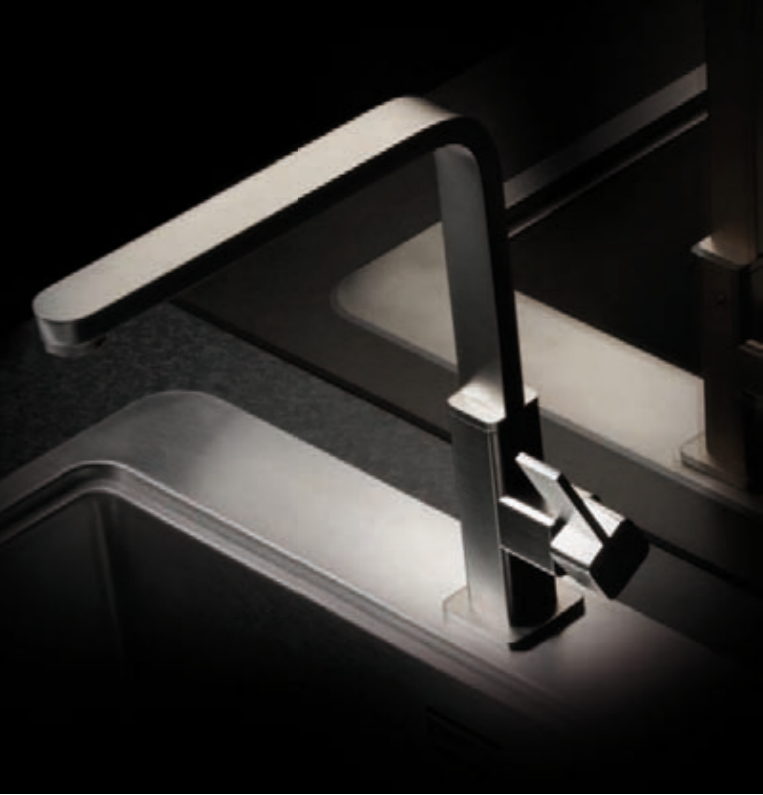
RL302CW

d: 220 mm  
wastes sold separately



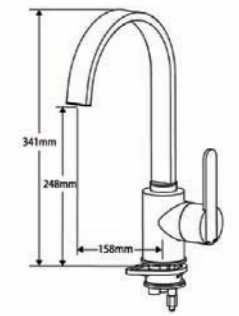
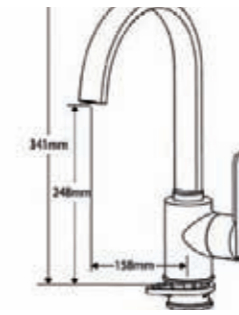
## KITCHEN TAPS

Reginox has carefully selected a range of stylish brassware to perfectly compliment your choice of sinktop. Sourced from one of the UK's most recognisable brands and manufacturers our taps are backed by good guarantees and back up service. Nearly all taps are branded and boxed Reginox to create a perfect brand match with Reginox sinktops. The ideal combination of style, compatibility, quality and performance...Reginox taps.



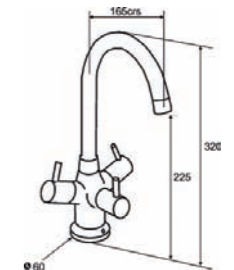
AMUR

Chrome  
Brushed steel



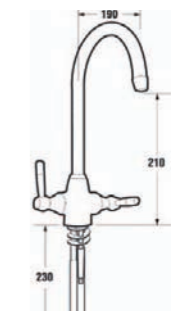
BRITA

Chrome



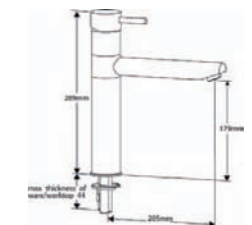
ELBE

Chrome

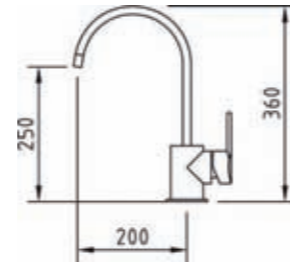
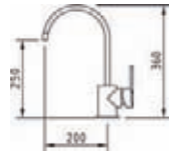


HUDSON

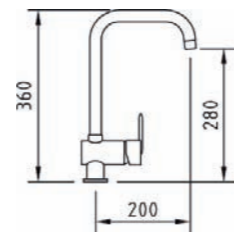
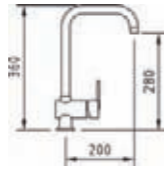
Chrome  
Brushed steel



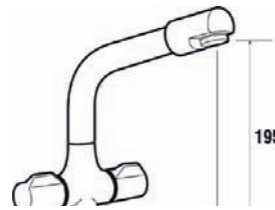
LISSINI  
Chrome



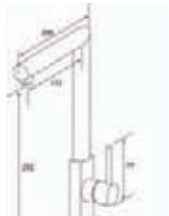
MAGDALENA  
Chrome



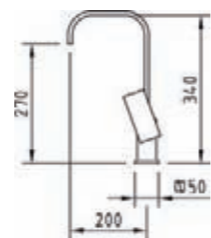
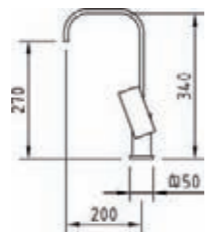
MURRAY  
Chrome



NIAGARA  
Chrome



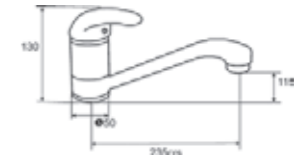
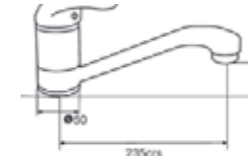
PLAZA  
Chrome  
Brushed steel



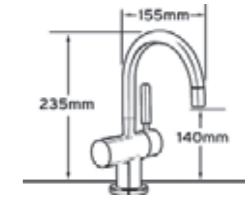
THAMES  
Chrome



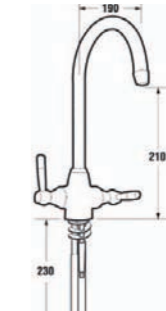
ZAMBESI  
Chrome



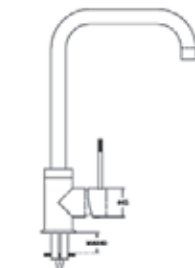
RFHC03  
Hot and cold tap  
Chrome  
RFH04  
Hot only tap  
Chrome



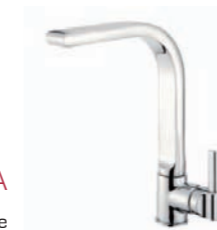
BROOKLYN  
Chrome



ANGEL  
Chrome  
Brushed steel



VENTA  
Chrome



CAMAYA  
Chrome



## WASTE DISPOSALS

Reginox has a range of waste disposal units available. Made by ISE the worlds largest and most recognised brand they perfectly provide the final component to create a 'total sink solution'. With models available at different price points Reginox will have a model suitable for you.



### R1530/RFISE45

0.50 horse power  
continuous feed,  
2 year warranty  
CE approved



### EVO 100

0.70 horse power  
Continuous feed  
5 year parts and labour warranty  
Built in air switch  
Evolution technology  
40% quieter than standard  
Two stage grind technology, for finer grind  
Auto reverse action for extended product life



### R1535/RFISE55

0.55 horse power  
continuous feed  
3 year warranty  
CE approved



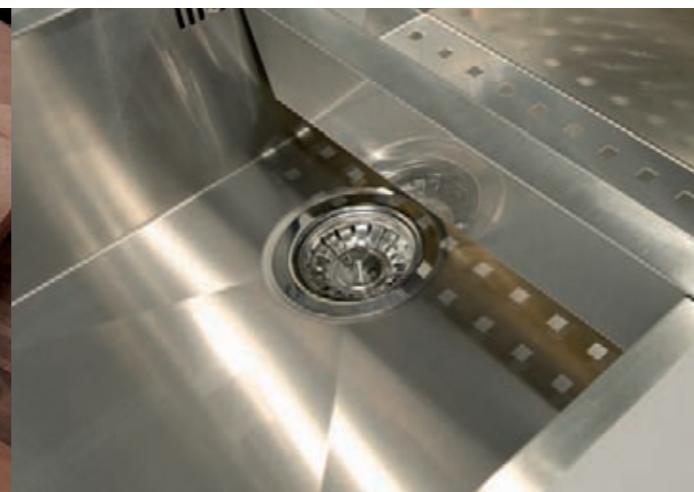
### EVO 200

0.75 horse power  
Continuous feed  
6 year parts and labour warranty  
Built in air switch  
Evolution technology  
60% quieter than standard  
Three stage grind technology, for the finest grind  
Auto reverse action for extended product life  
Power booster circuit, increases torque to tackle the most difficult to grind foods



### R1540/RFISE65

0.65 horse power  
continuous feed, 4 year warranty  
built in air switch  
auto reverse  
'quiet plus' sound insulation  
CE approved





## HIGH-END STAINLESS STEEL WORKTOPS

Choosing a stainless steel worktop from Reginox provides you with endless opportunities in terms of finish, size and specification.

Choose from our varied surface finishes and then design your worktop to fit the kitchen application that you have. Add onto this the option to incorporate anti-drip edges, splashbacks, hob cut outs, tap cut outs and many more design features and you are well on the way to having a stunning and visually contemporary worktop.

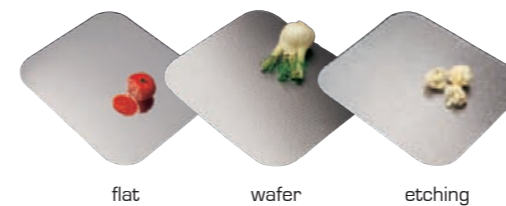
The final addition is to choose one from our massive range of integrated sink tops and have the product seamlessly welded into your worktop.

Besides creating a cutting edge contemporary product for the kitchen you are also purchasing Reginox quality. Our worktops are easy to clean and able to withstand most household chemicals.

Reginox worktops are easy to install on most types of kitchen cabinet. They are constructed around a solid timber frame with spring and groove jointing and waterproof multiplex glue. This combination provides an incredibly strong and stable end result.



### WORKTOPS



flat

wafer

etching

### DESIGN FLEXIBILITY

- Made to measure sizes
- Anti splash edges
- Upstands
- Etched, wafer or flat finishes
- Integrated drainer grooves
- Straight or angled designs
- Fully integrated sinks
- Hob and other appliance cut out service



### QUALITY ON THE TOP AND AT THE BOTTOM

Reginox worktops are easy to install on any type of kitchen cabinet. These worktops stand out for their excellent finish, both on the top and the bottom.

A strong wooden frame (spring and groove joint) and waterproof multiplex glued together, produce a very stable unit.



## ACCESSORIES



## STAINLESS STEEL COLANDER

King 1,5, Admiral 1.5 en 60, Diplomat 1.5, Queen 60

Admiral 10 plus, Diplomat 10 plus

President

Morena

Perforated tray Texas, Ohio, Kansas, Ontario (not for 18x40, 30x40,

Texas, Ohio, Kansas, Ontario (not for Ontario 52x40x2)

Stainless steel colander with dish holder Texas, Ohio, Kansas, Ontario

Tray drainer

B0899RLU00GPZ

B08YORBA00GPZ

B0600RBP00GPZ

B0401RBA00GPZ

S3000

R1050

R1060

R1054



## PLASTIC COLANDER

King 1,5, Queen 60

Morena

Ambassador

Admiral 10, 20 1.5, 40, 60. Diplomat 10, 20, 1.5

Double XL

Double L

R1000

R1010

R1030

R1035

R1045

R1046

WOODEN CUTTINGBOARD \*(not suitable for dishwasher )

Empire 15

Regent 25

Dallas

Rondo, Rondolux

L18 390, R18 390, Moscow

Queen 60, Morena, King R1,5, Regidrain

Regent 10, 20, 30, L18 3440, R18 3440

R18 370, L18 370, Galicia, Valencia, Andalucia

Ambassador

President (right)

Diplomat 10 plus, Admiral 10 plus

President (left)

Admiral 10, 20, 30, 1.5, 40, 60. Diplomat 10, 20, 30, 1.5

Double XL

Double L

Minister, Chicago

Orlando

Diplomat 10, 20, 30, 1.5, 10 plus. Admiral 10, 20, 30, 1.5, 10 plus, 40, 60

Denver

R18 380

Texas, Ohio, Kansas, Ontario

Jumbo

Jumbo including plate holder

Jumbo including wooden cuttingboard

S1000

S1010

S1020

S1030

S1040

S1070

S1080

S1090

S1100

S1110

S1120

S1130

S1145

S1150

S1160

S1170

S1190

S1200

S1210

S1220

S2050

S3100

S3105

S3110



## CUTTINGBOARD GLASS

Diplomat 10, 20, 30, 1.5, 10 plus. Admiral 10, 20, 30, 1.5, 10 plus

President, Ambassador, Minister

Texas, Ohio, Kansas, Ontario

R1215

R1216

**PLASTIC CUTTINGBOARD**



L18 390, R18 390  
Regent serie

S2030  
S2040

**BOTTOMPLATE**



Double XL  
Double L

R1040  
R1041

**STAINLESS STEEL WIRE BASKET**



L18 390, R18 390, Rondo, Rondolux, L18 370, R18 370  
L18 4035, R18 4035, L18 3440, R18 3440, Princess 80, King 1,5, Regidrain,  
Regent serie, Morena, Queen 60, Comtesse 1,5, L18 35D40, Colorado  
Ambassador  
President, Diplomat 10, 20, 30, 1,5. Admiral 10, 20, 30, 1,5, 40, 60  
Boston

R1100  
R1160  
R1140  
R1190  
R1185

**WIRE BASKET WHITE**



R18 370, L18 370, L18 390, R18 390, Valencia, Andalucia, Rondo, Rondolux, Galicia  
L18 4035, R18 4035, Regidrain, L18 3440, R18 3440, Comtesse 1,5, Morena, Queen 60,  
King 1,5, Regent 10, 20, 25, 30, Colorado, L18 35D40

R1090  
R1130

**SOAP DISPENSER**



PS100

**ECILPSE**



Eclipse brushed inox  
Eclipse chrome

R1198  
R1199



**SYPHONS**



Plastic  
Chrome, tube trap for washbasins  
Chrome, tube trap for washbasins  
Chrome, tube trap for washbasins Design

M2060  
M2080  
M2090  
M2530

**CLEANING AGENTS**



Inox care

R1306

**NANO INDURO**



Nano Induro High Pressure Laminate (HPL)  
Nano Induro Stainless steel, aluminium and glass surfaces

R1308  
R1309

**REGINOX DISPLAY STAND OPTIONS**

Reginox has a selection of display stands designed to promote the products in a simple but effective way.

**SINKSTAND**

A three tier display stand, finished in satin black with a laminated Reginox logo board. Designed to be stable and suitable for all Reginox sinks.



**TDS1**

A 'counter top' design finished in black plastic wrapped in steel with the Reginox logo cut out to create a real eye catching design.



**TDS2**

A fantastic freestanding tap display stand, made from MDF timber and finished in a high quality satin finish. Besides showing taps this stand has a built in cupboard for brochures or more taps!!

Please contact your local sales manager or Reginox UK sales office for prices or more details.





INTEGRATED

### INTEGRATED SINKS

For those customers choosing integrated sinks the flexible fitting system provides different opportunities to showcase your product.

Mounting can be either flush fitted, undermounted (underbuild) or simply inset. The flush fitted or undermount options provide stunning results when fitted in solid surfaces. Whilst using an integrated sink as an inset also provides a different look.

Whichever way you choose to fit your product you will be rewarded with a stunning and visually stimulating end result that will enhance your worktop and kitchen.



SEMI-INTEGRATED



UNDERBUILD/  
UNDERMOUNT

### INSET SINKS

Reginox sinks are easy to install and provide the customer with a superb finish with stylish detail to the top edges.

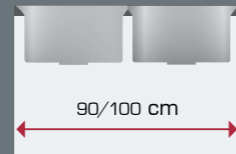
Fitting couldn't be easier, it's simply about cutting a hole into your work surface and mouting the sink with the clips provided. All sinks come with clear instructions but checking cut out measurements before proceeding is recommended.



INSET

### CABINET SIZE

The choice of your sink depends of the cabinet as this determines the available space. There are several cabinet sizes, 40 cm, 45 cm, 50 cm, 60 cm, 80 cm, 90 cm and 100 cm. You only need to take into account the size of the sink, not any drainer. Reginox for each case size a wide range of sinks.



### TECHNICAL INFORMATION

Reginox does have clear technical diagrams of all integrated sinks and custom - made milling templates can be supplied. For computer controlled milling machines the necessary software is available on cd-rom and website.

### TIPS FOR MAINTENANCE

- To maintain your Reginox sink unit, we recommend that you use Reginox Inox Care regularly. Rub it in gently once a week and your sink unit will stay as good as new.
- Clean water is enough for daily maintenance, possibly with the addition of a mild detergent.
- Coffee, tea and fat deposits are best removed with a liquid cleaner.
- You should polish only in the direction of the finish when using a scourer. This prevents scratches or streaks from appearing.





## EC DECLARATION OF CONFORMITY

The manufacturer  
 Reginox bv  
 Noordermorssingel 2  
 NL-7461 JN Rijssen

declares in accordance with paragraph 1.4 of the Buildings Decree  
 (translation of the Building Products Directive 89/106/EEC) that

Reginox stainless steel sinks  
 manufactured at its plant in Rijssen

comply with the stipulations as specified in NEN-EN 13310  
 Kitchen sinks - functional requirements and test methods

The stainless steel sinks in question are intended for household use.

Rijssen: 27-05-2009

  
 Technical Director  
 W. ter Steege



### CERTIFICATE OF APPROVAL

This is to certify that the Quality Management System of:

**Reginox B.V.**  
**Rijssen, The Netherlands**

has been approved by Lloyd's Register Quality Assurance  
 to the following Quality Management System Standards:

**ISO 9001 : 2008**

The Quality Management System is applicable to:

**The production and the designs of stainless steel  
 sinks and stainless steel worktops. The production  
 of synthetic worktops and synthetic desks. The supply  
 of synthetic worktops, granite sinks and accessories.**

Approval Certificate No: RQA650960	Original Approval	:	1 July 1996
	Current Certificate	:	1 July 2011
	Certificate Expiry	:	30 June 2014

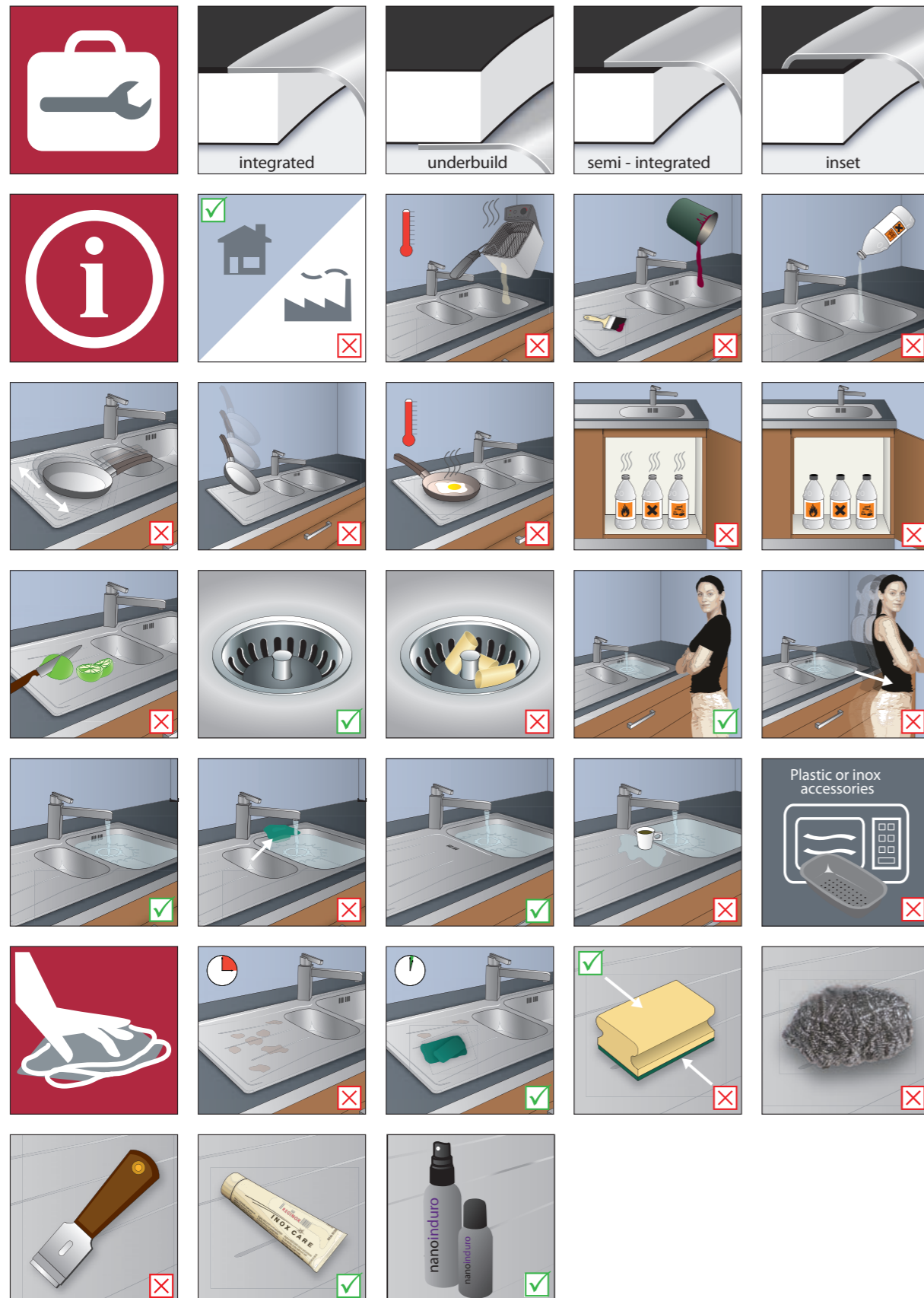


Issued by: Lloyd's Register Nederland B.V.



This document is subject to the provision on the reverse  
 Weena-Zuid 170, 3012 NC Rotterdam, The Netherlands - KvK nr. 24247948  
This approval is carried out in accordance with the LRQA assessment and certification procedures and monitored by LRQA.

## BUILT-IN OPTIONS, USE AND MAINTENANCE



## DELIVERY AND WARRANTY PROVISIONS FOR REGINOX - STAINLESS STEEL - PRODUCTS:

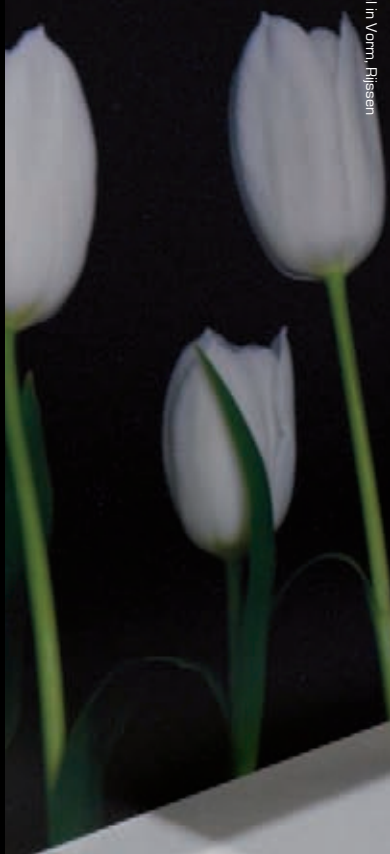
The warranty period is 10 years and commences on the date of delivery to the buyer.

1. Demonstrable defects in material and workmanship are entirely covered by this warranty, provided that they are notified to us within the stated time limit. The solution is at our discretion: either by a repair or a replacement.
2. Damage caused by overheating of electrical or gas equipment, water leaks, fumes, scratches, etc. as well as normal wear and tear are not covered by this warranty.
3. Stains, deposits, etc. which are the consequence of using corrosive substances such as soldering fluid, paint/stripper/brush cleaners, metal grindings, cement, sink unblockers, silver polish, developing and fixing substances, etc. are not covered by this warranty.
4. Sheetting subsequently modified by third parties, by creating cooking hob cut-outs, tap holes, etc., are not covered under warranty.
5. A claim under warranty does not extend claims for extension of the warranty period or for newly delivered parts or the repairs that are carried out.
6. All replaced parts or old steel sheeting which has been replaced are the property of Reginox and are therefore invoiced and only credited after return.
7. Claims under warranty and subsequent entitlement to repairs or replacement will only be dealt with if the complaint has first been personally investigated and reported by the buyer. No other claims or rights of any kind whatsoever shall ever be derived from this warranty.
8. All goods must be checked prior to assembly and/or installation to make sure that they have been manufactured correctly, e.g. dimensions and cut-outs, and to make sure that they are not damaged.
9. Only invoices from buyers deriving from complaints etc. will be honoured, provided that there has been express prior consultation on the matter and agreement has been reached. [set down content of agreement in writing]
10. When Reginox products are delivered, the recipient must check that the packaging is not damaged immediately (within 48 hours) (dents, scratches, etc.) and if necessary, this must be stated on the delivery note.
11. Our confirmations also serve as work orders for our production. It is therefore essential to check these because if there is no quick response, it will no longer be possible to accept any claim on the grounds of incorrect manufacture.
12. In addition to these provisions, the General Terms and Conditions of Delivery and Payment for the Metal Industry issued by the Koninklijke Metaalunie, filed with the Registry of Rotterdam District Court on 1 January 2008, shall apply.

REGINOX BV







**Reginox bv**

P.O. Box 82  
7460 AB Rijssen Holland  
T + 31 (0)548 53 56 35  
F + 31 (0)548 53 56 00

info@reginox.com  
www.reginox.com  
www.reginox.be



**Reginox UK Ltd**

Units 1-4 Radnor Park Trading Estate  
Back Lane Congleton Cheshire  
CW12 4XJ England  
T. +44 (0)1260 28 00 33  
F. +44 (0)1260 29 88 89  
sales@reginox.co.uk  
www.reginox.co.uk

**Reginox Deutschland GmbH**

Zollhausstrasse 5  
58640 Iserlohn Deutschland  
T + 49 (0)2371 788 60  
F + 49 (0)2371 788 625  
info@reginox.de  
www.reginox.de

**Reginox Far East Pte Ltd**

2 Loyang Lane #03-03  
Singapore 508913  
T + (65)67 88 53 63  
F + (65)67 88 38 35  
info@reginox.com.sg  
www.reginox.com.sg

A QUALITY PRODUCT FROM HOLLAND

